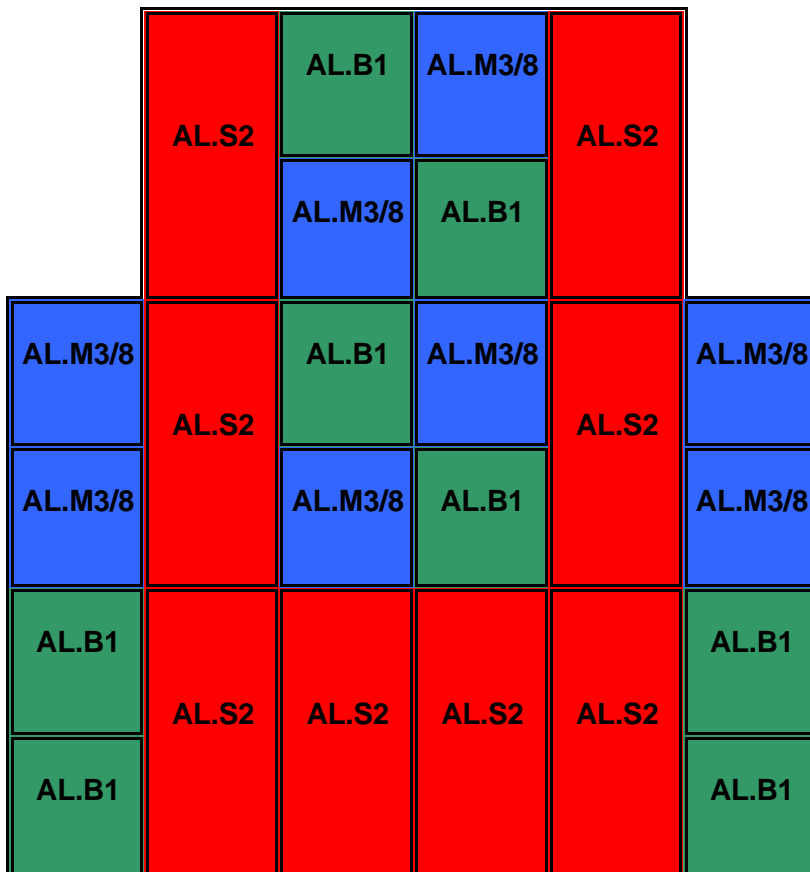
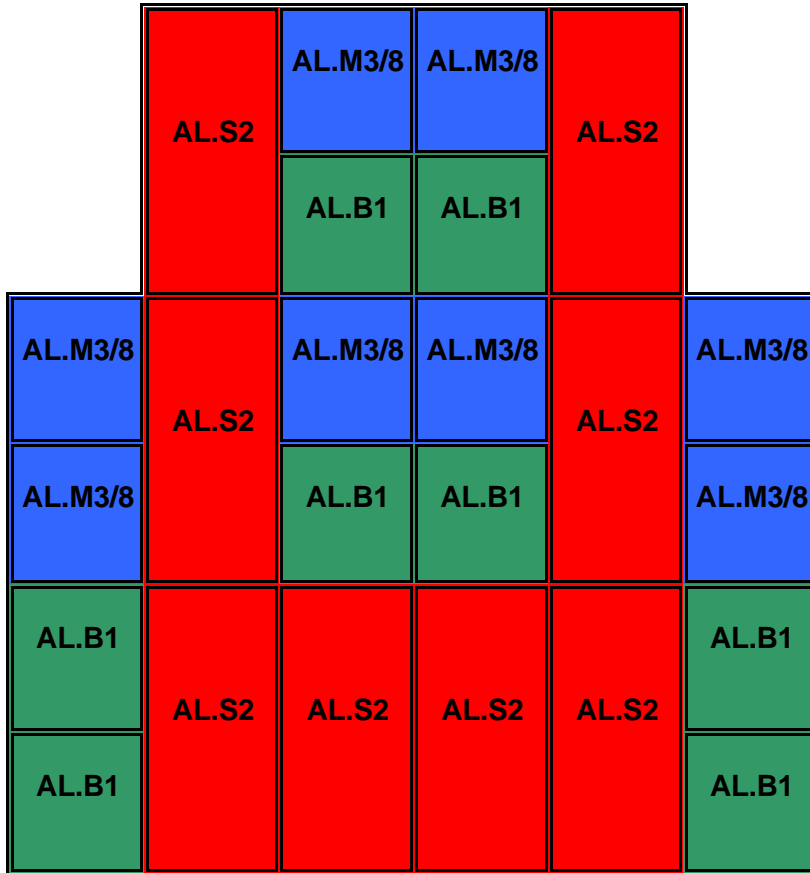


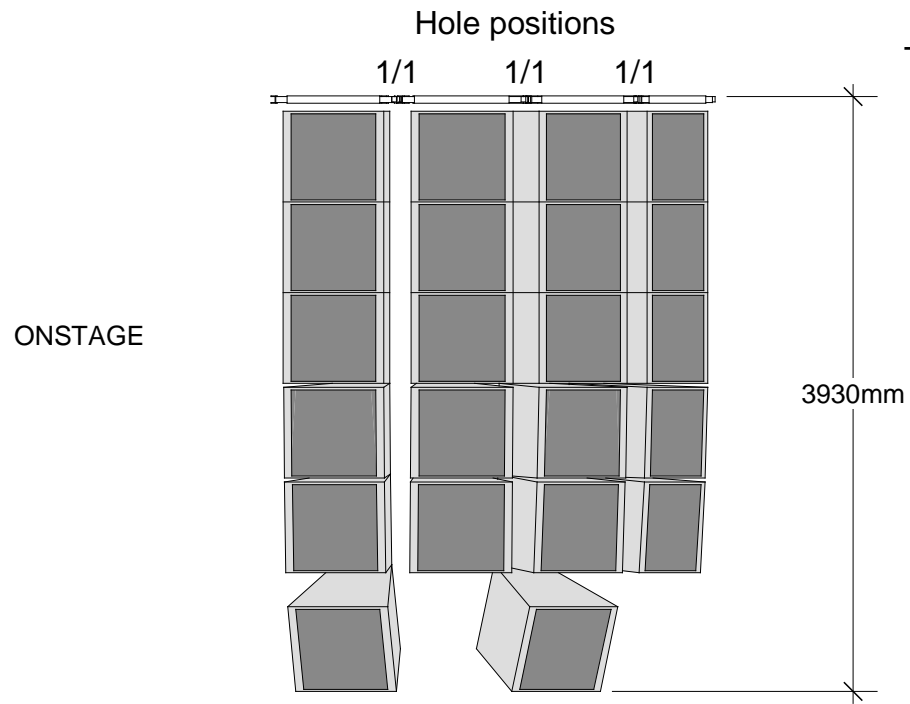
ALPHA SYSTEM - GROUND STACK CONFIGURATIONS



Nexo Alpha - Typical Large Scale Festival Array

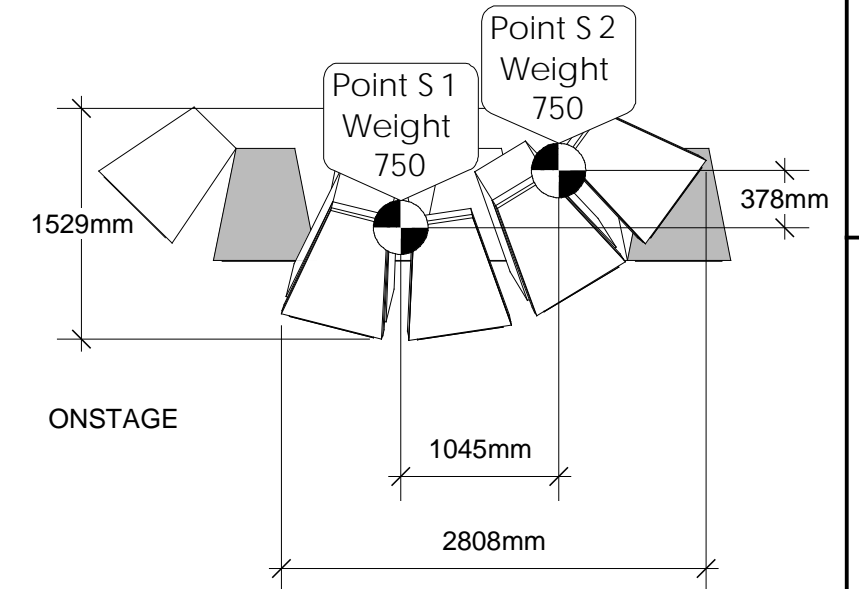
Quantities	Main PA L	Main PA R	Main PA Infill	4 x Delays	Totals
M3	22	22			44
M8			2		2
B1	24	24			48
S2	9	9			18
EM				16	16
B118				16	16

A

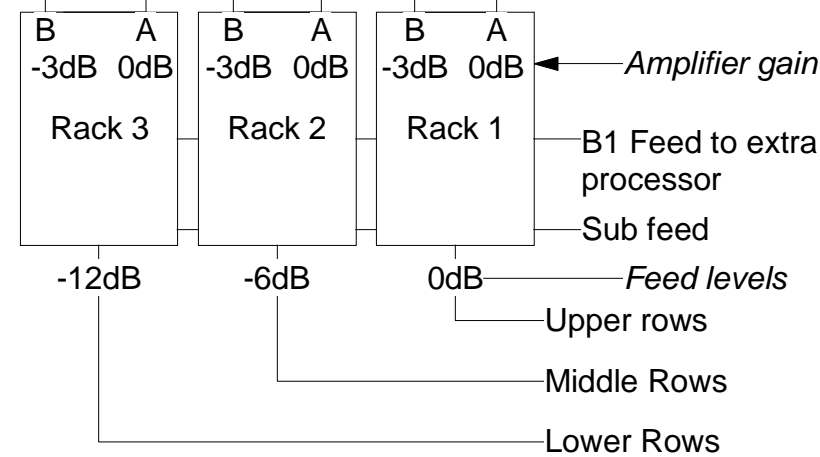
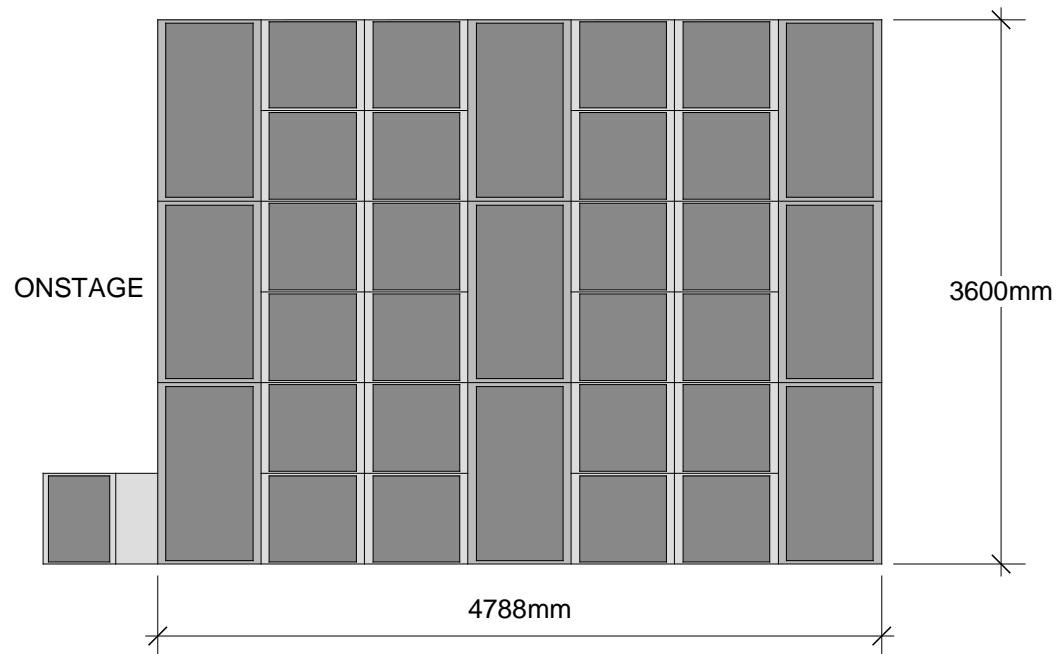


PA Hang Orientation

The hang is rotated approximately 20deg offstage so that the axis of the onstage column of boxes is pointing at the opposite corner of the working mix position (not including video or disabled platforms etc). Beware of tarpaulin sheeting to the PA wing walls offstage of the hang - all cabinets must have clear line of sight to the audience area.



B



Sidefills comprise 8*EM, 8*B1-18 per side

Nexo Alpha Large Scale Festival Array

Flying Guidelines - For Information Only

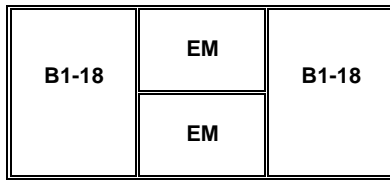
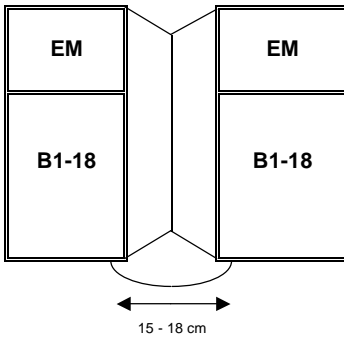
Fuzion - 2001

Document: LSFA1.PDF

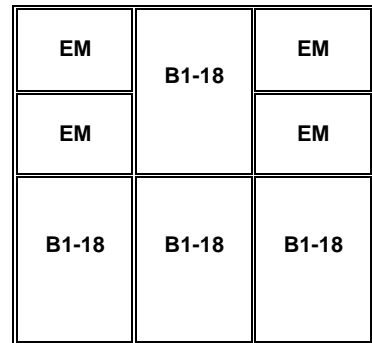
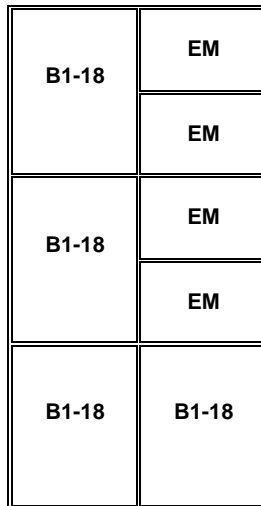
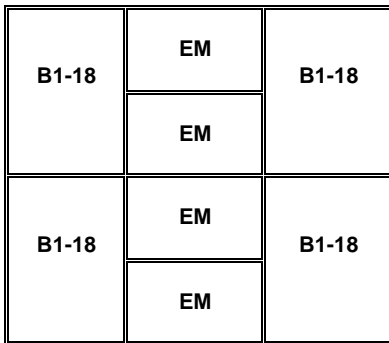
A

B

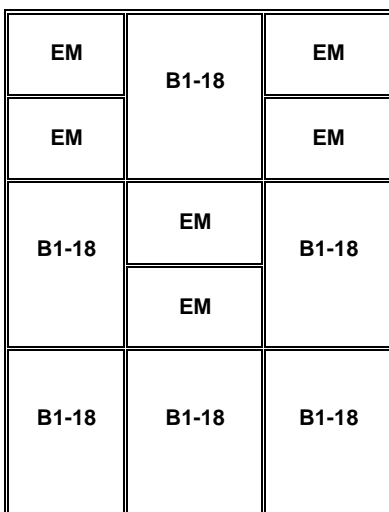
2 STACKS - FLOWN OR GROUND STACKED ± SUBS



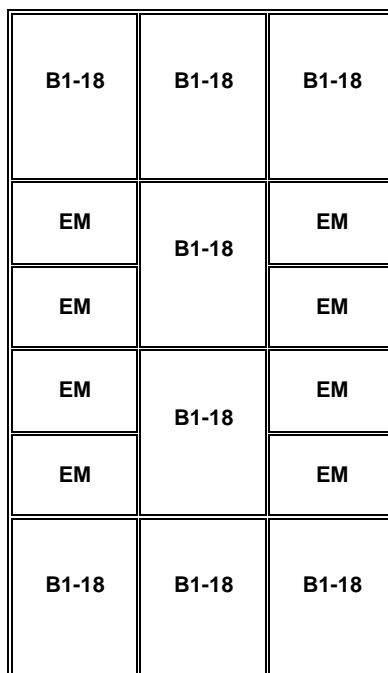
4 STACKS - FLOWN OR GROUND STACKED ± SUBS



6 STACKS - FLOWN OR GROUND STACKED

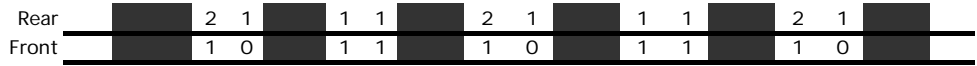


8 STACKS - FLOWN OR GROUND STACKED



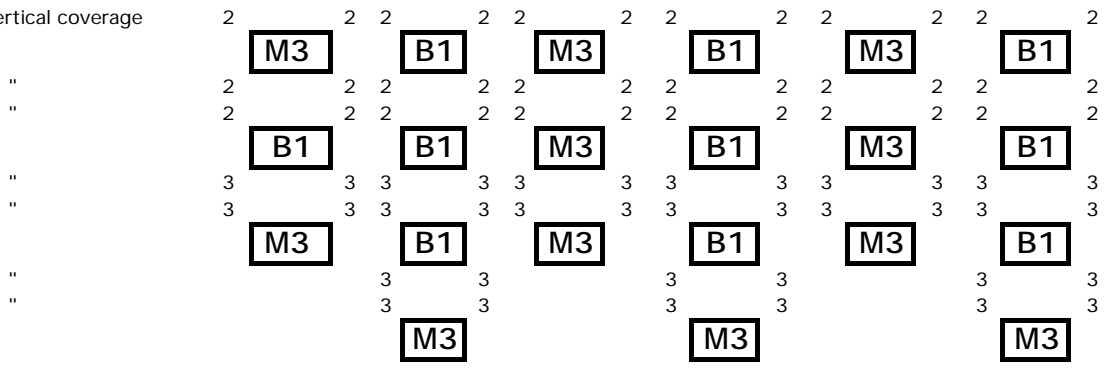
Typical Hole positioning for 3,4,3,4,3,4 Nexo Alpha hang

Crossbow Trombone hole positions



Front strap positions

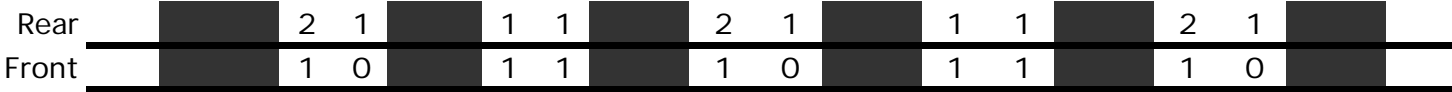
Adjusted to suit vertical coverage



Angle between M3 columns is 36deg

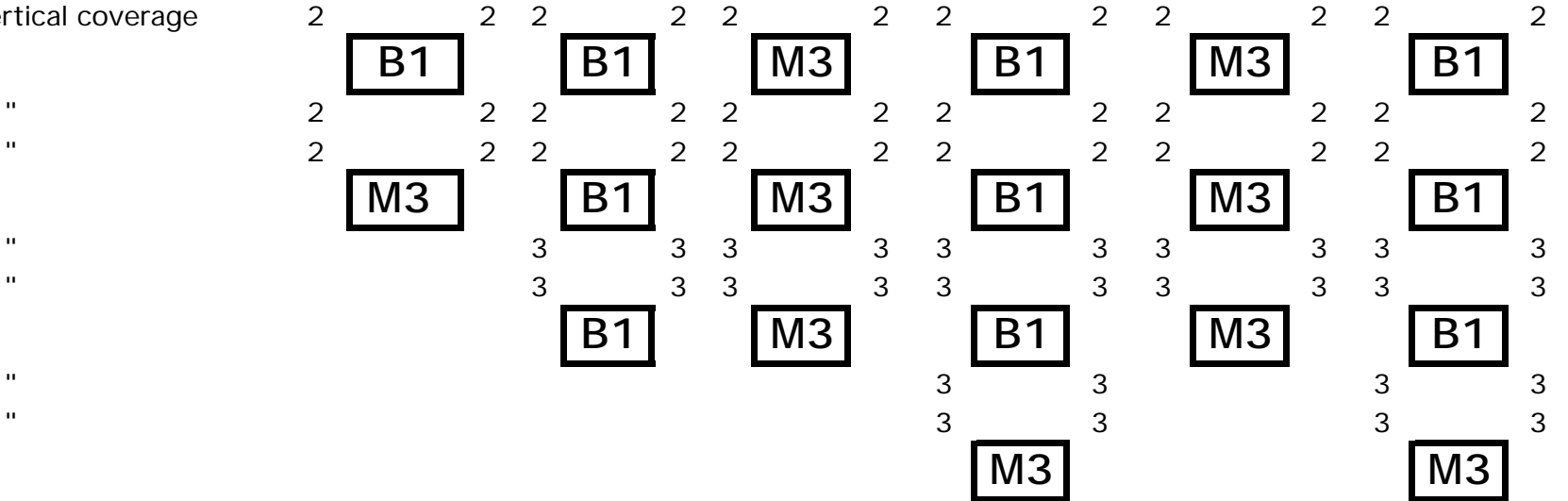
Typical Hole positions for 2,3,3,4,3,4 Nexo Alpha hang

Crossbow Trombone hole positions



Front strap positions

Adjusted to suit vertical coverage



Angle between M3 columns is 36deg