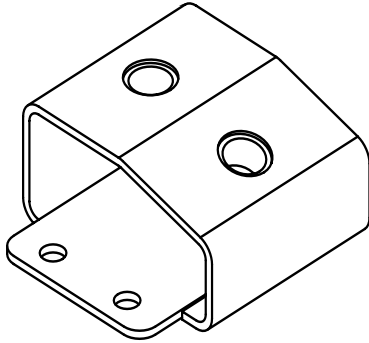


FS0081-001



This accessory is designed to be mounted directly onto the PS8 cabinet surface. It provides 2 M10 captive nuts that allows the following accessories to be fitted: (not supplied in this kit)

- Standard lighting hook/CLAMP
- M10 lifting eye bolt
- DIN Pivot (TV spigot)
- NEXO FS0081-002

The package contains 2 M5x25 TORX button head screws, 2 5mm Star Washers and a M10 nut.

ASSEMBLY

To fit the FS0081-001 directly to the PS8 cabinet, first remove the 2 original M5x25 screws supplied with the PS8 on the required mounting surface fix the accessory with the 2 screws and washers supplied in the package. If you plan to use the FS0081-002 Accessory please use the fixing holes near the angled side of the accessory to maintain the centre of gravity.

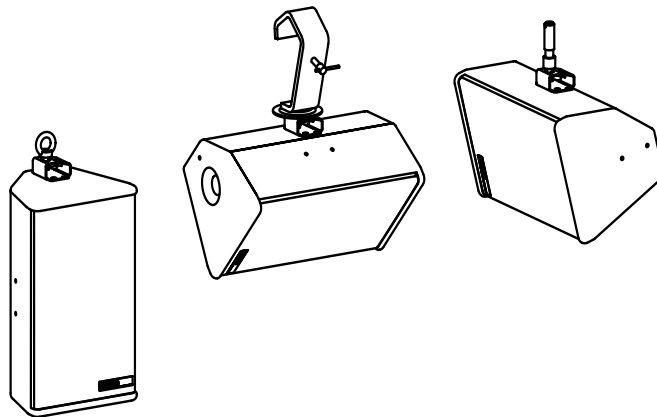
IMPORTANT

Do not mount this accessory in any other position on the PS8 cabinet other than a surface, which is equipped with two manufacturer M5 captive nuts.

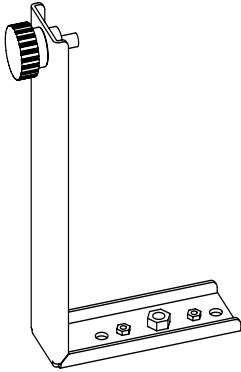
ATTENTION!

This device has been designed to withstand the load of a single PS8. Always use a stop nut when using additional flying accessories.

When using the PS8 series cabinets in applications where their placement will be in Public areas and above head height the Security Kit SA0081-001 must be used. Secondary safety steel must be installed once the cabinet has been placed in its final operating place. Secondary steels must be fitted irrespective of the local safety standards applicable to your territory



FS0081-002



This accessory provides 2 welded M5 nuts and 1 welded M10 nut. (It should always be used along with the FS0081-001.) This adapter allows the cabinet to be fixed on the wall, ceiling or on a stand using the FS0081-003

The package contains:

- 1 locking knob (M10x30)
- 2 M5x12 TORX button head screws
- 2 5mm Star Washers
- 1 10mm Washer

ASSEMBLY

After the correct placement of accessory FS0081-001 (required for use with FS0081-002) onto the required surface of the PS8 cabinet, this accessory will allow the PS8 cabinet to be wall or ceiling mounted. Make sure this accessory is fixed to the wall or ceiling before final connection to the PS8 cabinet. Please read all assembly instructions for FS0081-001 and 002 before you start installation.

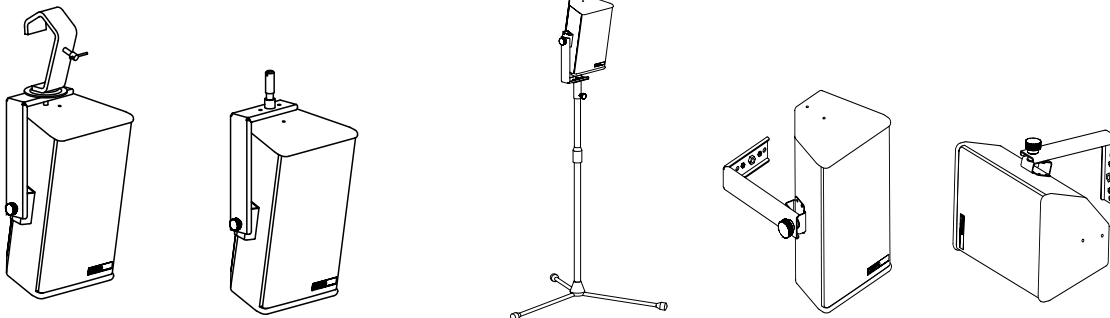
IMPORTANT

Accessory FS0081-001 **MUST** always be used in conjunction with FS0081-002. Do not mount this accessory in any other position on the PS8 cabinet other than a surface which is equipped with two manufacturer M5 captive nuts.

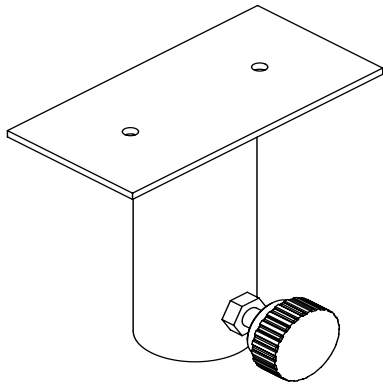
ATTENTION!

This device has been designed to withstand the load of a single PS8. Always use a stop nut when using additional flying accessories.

When using PS8 series cabinets in applications where their placement will be in Public areas and above head height the Security Kit SA0081-001 must be used. Secondary safety steel must be installed once the cabinet has been placed in its final operating place. Secondary steels must be fitted irrespective of the local safety standards applicable to your territory



FS0081-003



This adapter is designed for use with the PS8 cabinet. It allows for Horizontal mounting of the cabinet on a stand or a mast ($\varnothing 35\text{mm}$). It can be used along with other accessories or it can be fitted directly to the cabinet.

The package contains:

- 1 Locking knob (M8x16)
- 2 M5x25 TORX button head screws
- 2 5mm Star Washers

ASSEMBLY

To fit the FS0081-003 directly to the PS8 cabinet, first remove the 2 original M5x25 screws supplied with the PS8 on the required mounting surface. Using the 2 screws and washers supplied with this kit to connect the stand mount to the cabinet.

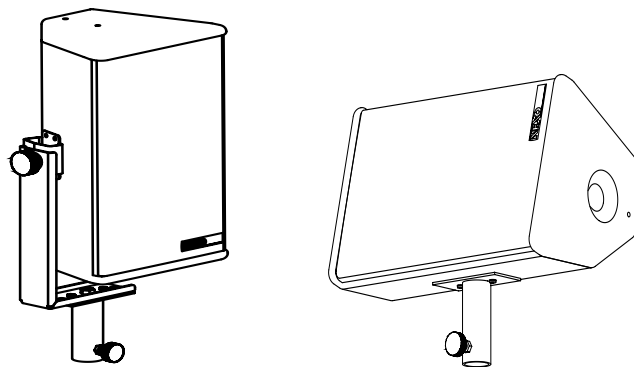
IMPORTANT

Do not mount this accessory in any other position on the PS 8 cabinet other than a surface which is equipped with two manufacturer M5 captive nuts

ATTENTION!

This device has been designed to withstand the load of a Single PS8. The load must be applied vertically on the mounting plate. **Never use this adapter to suspend the cabinet.** The Locking knob is provided to prevent the rotation of the cabinet once fitted to a stand or mast.

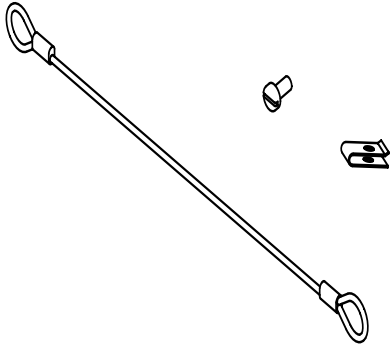
When using PS8 series cabinets in applications where their placement will be in Public areas and above head height the I Security Kit SA0081-001 must be used. A secondary safety steels must be installed once the cabinet has been placed in its final operating place. Secondary steels must be fitted irrespective of the local safety standards applicable to your territory



SA0081-001

This safety accessory kit contains:

- 1 30cm steel sling (plastic covered)
- 1 M3x6 screw
- 1 "rapid" M3 nut



ASSEMBLY

Pull gently on the grille to remove it. Place one end of the steel near a grille hole. Insert the nut with the thread side toward the inside (the steel must be kept between the nut and the grille). Attach the M3 screw. Unscrew one of the screws retaining the HF horn, place the other end of the steel around the screw and replace it. You should now have the steel fixed to both grille and cabinet.

IMPORTANT

Always use this safety accessory when using PS 8 cabinets in Public areas. Always use secondary safety steels to secure the cabinet to its place of fixing (not provided by NEXO) Secondary steels must be fitted irrespective of the local safety standards applicable to your territory

ATTENTION!

The purpose of this accessory is only to secure the grille. It should not be used for any other purpose.