

compact

lightweight

powerful

versatile



PS8 LOUDSPEAKER

PRODUCT FEATURES

High power system (125dB Peak SPL @ 1m) with new 8" LF and 1" HF low magnetic emission Neodymium drivers for light weight (7.5 kg, 16.5 lbs) and negligible magnetic leakage.

Rotatable asymmetrical horn and unique cabinet architecture ensure versatility; user adaptable for both PA and stage monitoring applications.

Two-way passive 8 Ohm design uses a single amplifier channel for simpler installation and lower cost.

Sophisticated control electronics ensure reliable, linear operation.

Supported with a full range of mounting and flying accessories.

PS8 SYSTEM APPLICATIONS

Near-field touring, installed PA for clubs, A/V, theater, broadcast, etc.

High quality stage monitoring for clubs, A/V, theater, broadcast, etc.

Fill-in system in conjunction with larger Nexo systems.

Anywhere powerful, high quality performance is required adjacent to magnetically sensitive video or computer equipment.

PS8's compact size, enormous sound and reconfigurable horn make it the perfect solution for almost any application.



PS8 System Components

▶ PS8 Loudspeaker

LS400 Subwoofer

PS8 TDController

PS8 Amplifier

The PS8 Loudspeaker features new Nexo designed low magnetic emission Neodymium drivers, making the PS8 extremely light and compact while usable next to sensitive professional video or computer equipment. The dispersion, architecture and weight balance of the PS8 Loudspeaker are designed to provide both exceptional PA and stage monitor performance from a single product without compromise. This flexibility is realized by a proprietary constant directivity asymmetrical dispersion horn, easily rotated in four positions by the user. Coupled with the horn's unique progressive horizontal (50° to 100°) and vertical (55°) dispersion, the most suitable pattern can be selected for vertical or horizontal PA usage or wedge monitoring. The 2-way passive 8 Ohm design uses a single amplifier channel to deliver bi-amped performance for less money, space and complexity.

The PS8 Loudspeaker System is the latest addition to Nexo's acclaimed PS Series; versatile, compact, full-range loudspeakers tailored for a wide range of touring and installed sound reinforcement applications. Like all Nexo products, the PS8 Loudspeaker and optional LS400 Subwoofer are designed to work with advanced electronic processors, guaranteeing consistent performance and reliability of the highest standard.



compact

lightweight

powerful

versatile



PS8 LOUDSPEAKER

PRODUCT FEATURES

Components : LF	1 x 8" (20 cm) Shielded Neodymium 8 Ohm driver
HF	1 x 1" Shielded Neodymium throat driver + Low Distortion, Constant Directivity Asymmetrical Dispersion Horn.
Height x Width x Depth	406 x 250 x 219 mm (16"x 9 7/8"x 5 5/8")
Weight	7.5 kg (16.5 lbs)
Connectors	2 x NL4MP SPEAKON 4 pole
Construction	Baltic Birch Ply finished with textured, polyurethane black coating
Fittings: Handles	—
Front finish	Perforated steel grille
Flying Points & Fixed Installation	Threaded inserts are fitted as standard to all cabinet surfaces for connection of mounting accessories
Stand fittings	Built in Stand Fitting, 35mm (1 3/8)

SYSTEM SPECIFICATIONS PS8 with PS8 TDCController

Frequency Response [a]	69 Hz - 19 kHz ± 3 dB (43 Hz - 19 kHz ± 3 dB with LS400 Subwoofer)
Usable Range @-6dB [a]	62 Hz - 20 kHz (40 Hz - 20 kHz with LS400 Subwoofer)
Sensitivity 1W @ 1m [b]	96 dB SPL Nominal - 94 dB SPL Wideband
Nominal Peak SPL @ 1m [b]	122 to 125dB Peak (for 200 to 500 W RMS Amp.)
HF Dispersion [c]	50° to 100° Hor. x 55° Vert. Rotatable Horn, 4 positions
Directivity : Q & DI [c]	Q : 10 Nominal DI : 10 dB Nominal (f > 1.8 kHz)
Crossover Frequencies	2.5 kHz Passive
Nominal Impedance	8 Ohms
Recommended Amplifiers	200 to 500 Watts into 8 Ohms for 1 x PS8; 400 to 1000 Watts into 4 Ohms for 2 x PS8 per channel

SYSTEM OPERATION

Electronic Controller	The PS8 Loudspeaker must be used with a Nexo Controller (PS8 TD analogue, NX241 digital or PS8AMP integrated power amplifier). Use without a properly connected Controller will result in poor sound quality and may damage the components.
Dispersion configuration	After removing the quick-release front grille, the HF Horn can be rotated to one of 4 positions for dispersion configuration.
Subbass	The PS8 Loudspeaker can be used with or without the optional LS400 Subwoofer. Active two-way operation with the LS400 is included in the PS8TD, NX241 or PS8AMP. One LS400 matches 2 x PS8, additional LS400 may be used for enhanced effect.
Speaker Cables	The PS8 is wired 2- & 2+ on Speakon connectors, LS400 on 1- & 1+. Loop through Speakons are present on both products. Single identical cables can thus be used to loop through combinations of up to 2 x PS8 & 1 x LS400 in no particular order.

SHIPPING & ORDERING

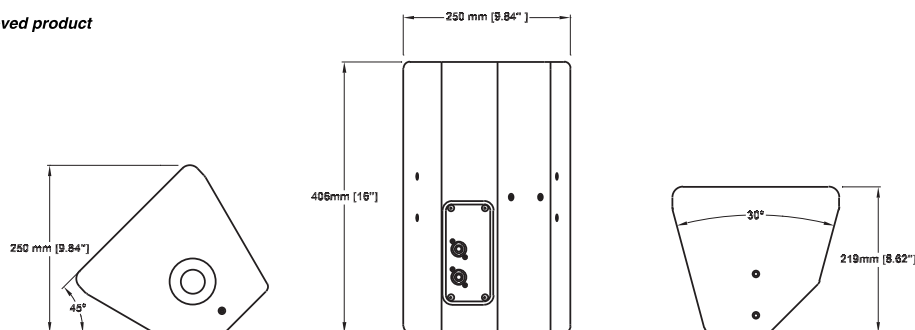
Packaging	PS8s are packaged as pairs with or without PS8 TDCController in a single box.
Shipping Weight & Volume	2 x PS.8U = 16 kg (35.3 lbs) 0.109 cu m (3.85 cu ft). 2 x PS.8U + 1 x PS.8UTD = 19 kg (6.61 lbs) 0.109 cu m (3.85 cu ft).
Accessories	A full selection of mounting Accessories is available, please contact your Nexo Agent for details.

As part of a policy of continual improvement, NEXO reserves the right to change specifications without notice.

[a] Response curves & data : Anechoic Far Field for the PS8 + PS8TD. Half-Space Anechoic radiation for the LS400 + PS8TD.

[b] Sensitivity & Peak SPL data : these will depend on spectral distribution and crest factor of program material. Measured with band limited Pink Noise. Nominal refers to Voice Decade (300 Hz - 3 kHz), Wideband to the specified ± 3 dB range. Data are for speaker + processor + recommended amplifier combinations. Peak SPL is at clipping of recommended amplifier.

[c] Directivity curves & data : obtained by computer treatment on off axis response curves.



LIMITED WARRANTY

Nexo loudspeakers and electronics are covered against defects in workmanship or materials for a period of two (2) years from the original date of purchase. At the option of Nexo, the defective item will be repaired/replaced with no charge for materials/labor. The item is to be adequately packaged and dispatched, pre-paid, to a Nexo authorized distributor/service center. Unauthorized repair shall void the warranty. This Nexo warranty does not cover cosmetics or finish and does not apply to any items which in Nexo's opinion have failed due to user abuse, accidents, modifications or any type of misuse.

www.nexo-sa.com

NEXO is one of the world's leading sound reinforcement loudspeaker manufacturers. Founded in 1979, the company is dedicated to crafting practical solutions with solid engineering. Each new design begins with a proprietary sophisticated computer simulation process that allows every parameter to be extensively modelled and simulated, leading to breakthrough cost and performance gains.

Nexo's comprehensive product line includes loudspeakers, analogue and digital control electronics and amplification; all designed to deliver consistent sound quality and long-term reliability for a broad range of applications. Continuing research drives all new product development to deliver on our promise; **Sonic Innovation That Works.**

NEXO S.A.
154 allée des Erables
ZAC de PARIS NORD II B.P. 50107
F-95950 Roissy CDG CEDEX
France
Tél: +33 1 48 63 19 14
Fax: +33 1 48 63 24 61
E-mail: info@nexo.fr

NEXO Limited
9 Lyon Road
Walton on Thames
Surrey
KT12 3PU
United Kingdom
Tel: +44 1932 886 007
Fax: +44 1932 886 008
E-mail: info@nexo-sa.com

Nexo USA, Inc.
2165 Francisco Blvd.
Suite E2
San Rafael, CA 94901
Phone: 1-415-482-6600
Fax: 1-415-482-6110
E-mail: info@nexo.cc

NEXO Far East Pte Ltd
101 Lorong, 23 Geylang
#06-04 Prosper House
Singapore 388399

Tel: +65 742 5660
Fax: +65 742 8050
E-mail: info@nexo-sg.com

NEXO
SONIC INNOVATION THAT WORKS